

AIR DRYER FOR ELECTRIC SMOKERS OW-01



Owner's manual




Borniak

ZUT BORNIAK

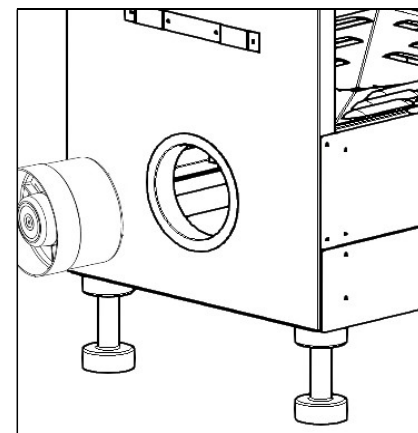
Ul. Bolesława Chrobrego 31E, 78-449 Borne Sulinowo

Tel. +48 94 716 22 29,

e-mail: info@borniak.pl, web: www.borniak.pl

Installing the dryer

1. The dryer must be unplugged during its installation.
2. Before installing the dryer, both the smoking chamber and the smoke generator must be turned off.
3. Disconnect the smoke generator from the smoking unit and put it in a safe place.
4. Place the dryer in the opening in the wall of the smoking unit (where the smoke generator was before) until it fits.
5. Turn the dryer on.



While drying, the chamber should be turned on, **the thermostat set at 30°C, and the chimney open.**

CAUTION! Temperature higher than 30°C may damage the dryer.

The appliance must not be used if there is any risk of foreign objects getting into the duct.

Turning the dryer off when the smoking chamber is still on may cause overheating of the appliance.